

United States Patent [19]

Furuya

[11] Patent Number: **Des. 312,632**

[45] Date of Patent: **** Dec. 4, 1990**

[54] **FACSIMILE MACHINE**

[75] Inventor: **Keiji Furuya, Hamamatsu, Japan**

[73] Assignee: **Nissei Opto Co., Ltd., Hamamatsu, Japan**

[**] Term: **14 Years**

[21] Appl. No.: **174,028**

[22] Filed: **Mar. 28, 1988**

[30] **Foreign Application Priority Data**

Sep. 29, 1987 [JP] Japan 62-39869

[52] U.S. Cl. **D14/118**

[58] Field of Search D14/118, 141, 248, 165;
D18/36, 37; 358/400, 401

[56] **References Cited**

U.S. PATENT DOCUMENTS

D. 268,582 4/1983 Kikuchi D14/118
D. 279,002 5/1985 Labuda et al. D14/165

D. 295,750 5/1988 Imai D14/118 X
D. 304,204 10/1989 Wada et al. D18/37
D. 304,832 11/1989 Murphy D14/165

OTHER PUBLICATIONS

HFD; 08/03/87; p. 74; top center-CBM America Corp. Battery Operated Fax.

Primary Examiner—Theodore M. Shooman

[57] **CLAIM**

The ornamental design for a facsimile machine, as shown.

DESCRIPTION

FIG. 1 is a top, front and right side perspective view of a facsimile machine showing my new design; FIG. 2 is a front elevational view thereof; FIG. 3 is a right side elevational view thereof; FIG. 4 is a left side elevational view thereof; FIG. 5 is a top plan view thereof; FIG. 6 is a rear elevational view thereof, and FIG. 7 is a bottom plan view thereof.

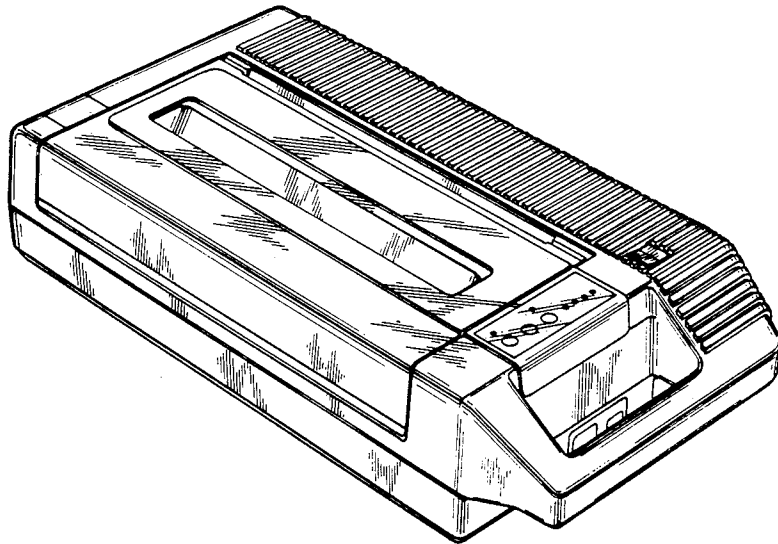


FIG. 1

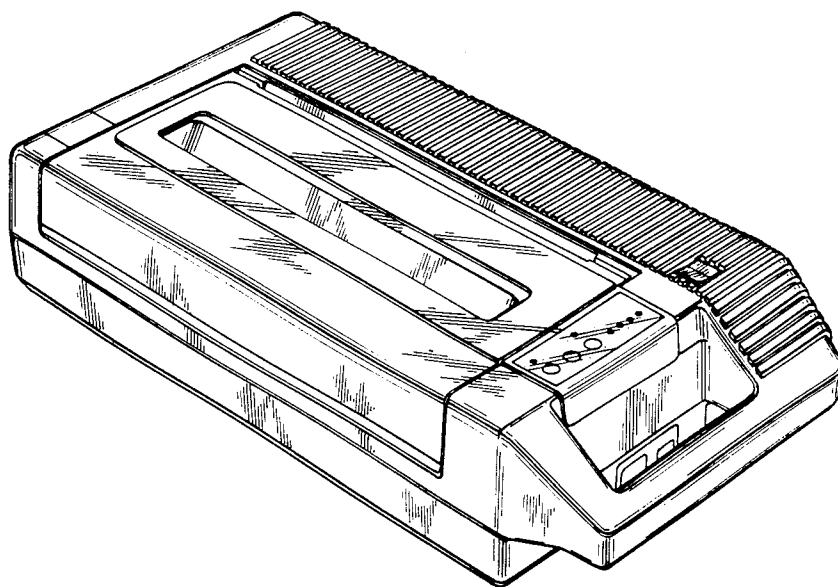


FIG. 2

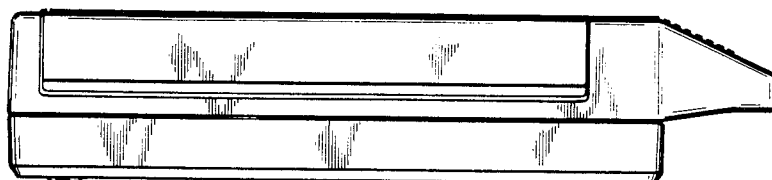


FIG. 3

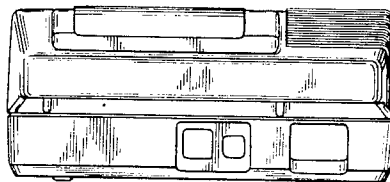


FIG. 4

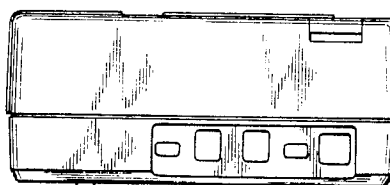


FIG. 5

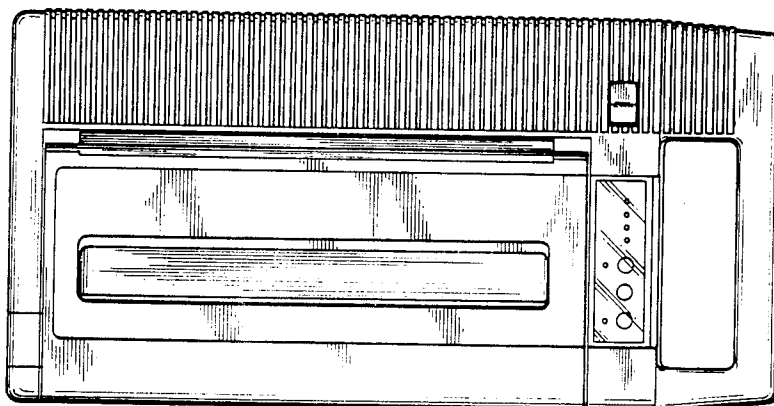


FIG. 6

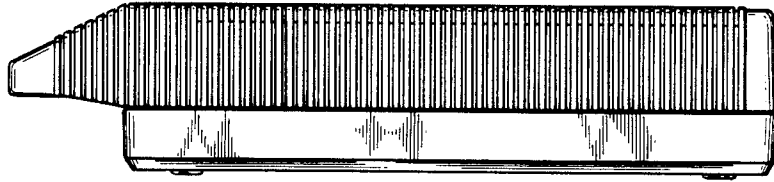


FIG. 7

